

## L-36, L-42, L-44 & L-46 REFINERS

- Complete Refiner Rebuilds
- New and rebuilt Rotating Assemblies
- Complete line of replacement spare parts for Sunds Type Refiners
- Repair and rebuild of all Refiner Wear Parts
- Exchange program for rebuilt Rotor Discs, Rotating Assemblies, Guide Values and Plate Holders
- RPM Design External Oil Unit Assemblies for all refiner types with option of air cooling
- Full One Year Warranty on all new and rebuilt parts or assemblies
- New Blowvalve Assemblies and Replacement wear parts

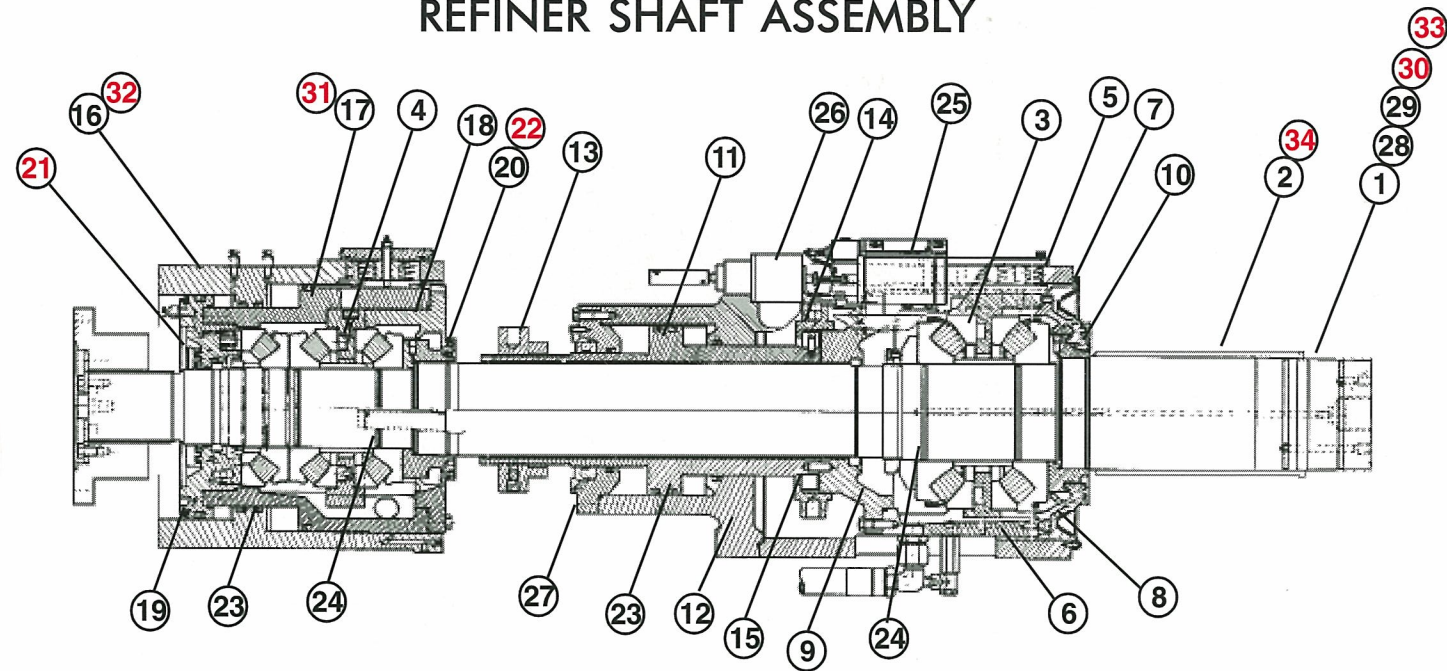


Post Office Box 471335 • Charlotte, NC 28247 • Office: 704.602.3070 • Fax: 704.602.3071  
Shipping Address: 240 Seaboard Avenue • Johnsonville, SC 29555



**HIGH QUALITY PARTS and REBUILDS**  
for L-36 thru L-46 Refiner Models

## REFINER SHAFT ASSEMBLY



L-36 MODEL

L-42/44/46 MODEL

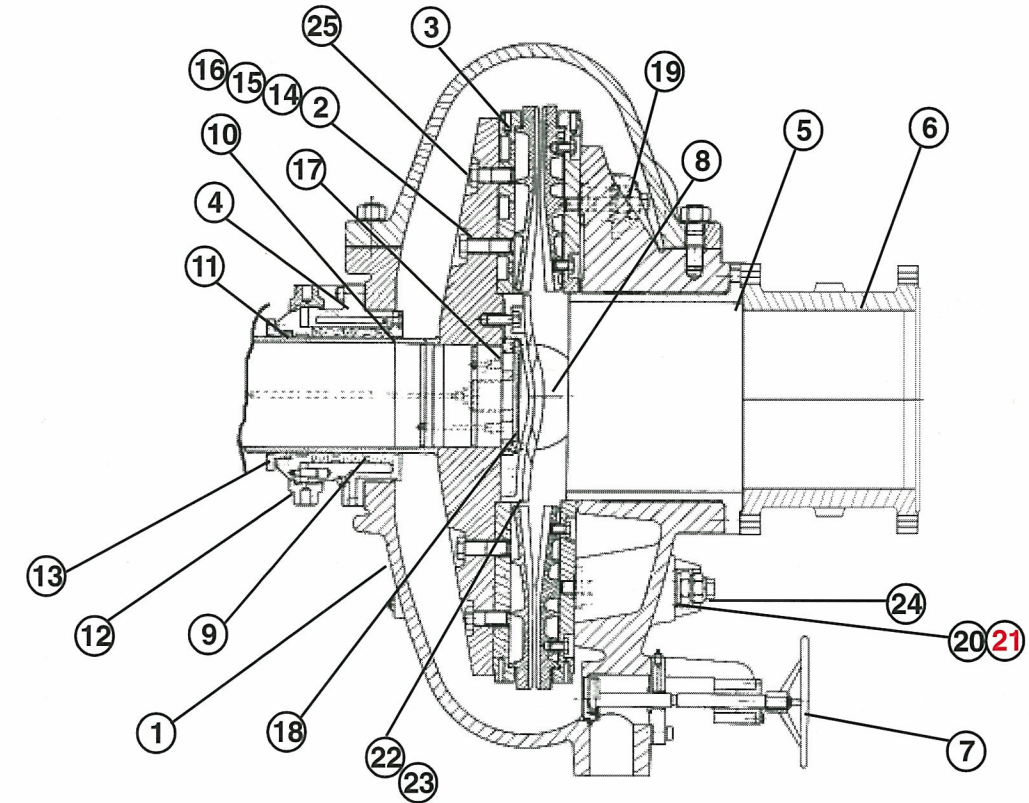
### Bill of Materials

ITEM	PART DESCRIPTION	PART #
1	Main Shaft L-36	SDR-1017-36
2	Wear Sleeve	SDR-1005-36
3	Front Bearing Assembly	SDR-1074-36
4	Rear Bearing Assembly	SDR-1058-36
5	Front Bedding	SDR-1021-36-44
6	Front Housing	SDR-1023-36
7	Rubber Bellow	SDR-1010-36-44
8	Cover, Front Bearing (F)	SDR-1032-36
9	Cover, Front Bearing (R)	SDR-1030-36-46
10	Labyrinth Ring	SDR-1080-36
11	Hydraulic Piston	SDR-1055-36-46
12	Hydraulic Cylinder	SDR-1062-36-46
13	Hydraulic Stopnut	SDR-1011-36-46
14	Hydraulic Locknut	SDR-1057-36-46
15	Retaining Ring	SDR-1056-36-46
16	Rear Bedding	SDR-1022-36
17	Rear Housing	SDR-1027-36
18	Cover, Rear Bearing (F)	SDR-1033-36
19	Cover, Rear Bearing (R)	SDR-1034-36
20	Flinger Ring	SDR-1040-36
23	Seal Kit	SDR-1238-36
25	Guide Valve	SDR-1076-36-46
26	Hand Screw Assembly	SDR-1231-36-42
27	Cover, Hydraulic Cylinder	SDR-1063-36-46
28	Main Shaft L-36/42	SDR-1015-36/42
29	Main Shaft L-36/42/36	SDR-1111-36/42/36

### Bill of Materials

ITEM	PART DESCRIPTION	PART #
1	Main Shaft L-42	SDR-1068-42
2	Wear Sleeve	SDR-1004-42-44
3	Front Bearing Assembly	SDR-1066-36-46
4	Rear Bearing Assembly	SDR-1067-36-42
5	Front Bedding	SDR-1021-36-44
6	Front Housing	SDR-1024-36-46
7	Rubber Bellow	SDR-1010-36-44
8	Cover, Front Bearing (F)	SDR-1028-36-44
9	Cover, Front Bearing (R)	SDR-1030-36-46
10	Labyrinth Ring	SDR-1036-36-44
11	Hydraulic Piston	SDR-1055-36-46
12	Hydraulic Cylinder	SDR-1062-36-46
13	Hydraulic Stopnut	SDR-1011-36-46
14	Hydraulic Locknut	SDR-1057-36-46
15	Retaining Ring	SDR-1056-36-46
16	Rear Bedding	SDR-1026-36-42
17	Rear Housing	SDR-1025-36-42
18	Cover, Rear Bearing (F)	SDR-1029-36-42
19	Cover, Rear Bearing (R)	SDR-1031-36-42
21	Flinger Ring (R)	SDR-1041-42
22	Flinger Ring (F)	SDR-1039-36-42
23	Seal Kit L-42	SDR-1265-42
24	Seal Kit L-44/46	SDR-1273-44-46
25	Guide Valve	SDR-1076-36-46
26	Hand Screw Assembly	SDR-1231-36-46
27	Cover, Hydraulic Cylinder	SDR-1063-36-46
30	Main Shaft L-44	SDR-1122-44
31	Rear Housing L-44	SDR-1124-44-46
32	Rear Bedding	SDR-1123-44-46
33	Main Shaft L-46	SDR-1313-46
34	Wear Sleeve	SDR-1314-46

## REFINER HOUSING ASSEMBLY



L-36 MODEL

L-42/44/46 MODEL

### Bill of Materials

ITEM	PART DESCRIPTION	PART #
1	Grinding Housing	SDR-1132-36
2	Rotor Disk	SDR-1012-36
3	Plate Holder	SDR-1013-36
4	Packing Box	SDR-1072-36
5	Inlet Sleeve	SDR-11274-36
6	Intermediate Pipe	SDR-1159-36
7	Drain Valve Assembly	SDR-1263-36-46
8	Blowvalve Assembly 6"	SDR-1171-36
9	Lantern Ring	SDR-1014-36
10	Split Bushing	SDR-1018-36
11	Split Gland	SDR-1253-36
12	Packing Nut	SDR-1264-36
13	Piggy Back Gland	SDR-1085-36
14	Rotor Vane 10"	SDR-1212-36
15	Rotor Vane 5"	SDR-1232-36
16	Rotor Wing	SDR-1006-36/38
17	Rotor Lockplate	SDR-1016-36
18	Lockplate Cover	SDR-1042-36
19	Adjusting Screw 8"	SDR-1275-36
20	Adjusting Screw 10"	SDR-1276-36
22	Center Plate Straight	SDR-1065-36
23	Center Plate Spiral	SDR-1081-36
24	Stator Bolt Set	SDR-1278-36
25	Rotor Bolt Set	SDR-1279-36

### Bill of Materials

ITEM	PART DESCRIPTION	PART #
1	Grinding Housing	SDR-1202-42/44
2	Rotor Disk	SDR-1053-42-44
3	Plate Holder	SDR-1054-42-44
4	Packing Box	SDR-1069-42-44
5	Inlet Sleeve	SDR-1151-42
6	Intermediate Pipe	SDR-1150-42
7	Drain Valve Assembly	SDR-1263-36-46
8	Blowvalve Assembly 8"	SDR-1077-42-46
9	Lantern Ring	SDR-1003-42-44
10	Split Bushing	SDR-1019-42-44
11	Split Gland	SDR-1280-42-44
12	Packing Nut	SDR-1281-42-44
13	Piggy Back Gland	SDR-1282-42-44
14	Rotor Vane 6"	SDR-1170-42-46
16	Rotor Wing	SDR-1007-42-44
17	Rotor Lockplate	SDR-1043-42-44
18	Lockplate Cover	SDR-1283-42-44
19	Adjusting Screw 4"	SDR-1284-42-44
20	Adjusting Screw 6"	SDR-1285-42-44
21	Adjusting Screw 8"	SDR-1286-42-44
22	Center Plate B104	SDR-1073-42-44
23	Center Plate B105	SDR-1289-42-44
24	Stator Bolt Set	SDR-1287-42-44
25	Rotor Bolt Set	SDR-1288-42-44